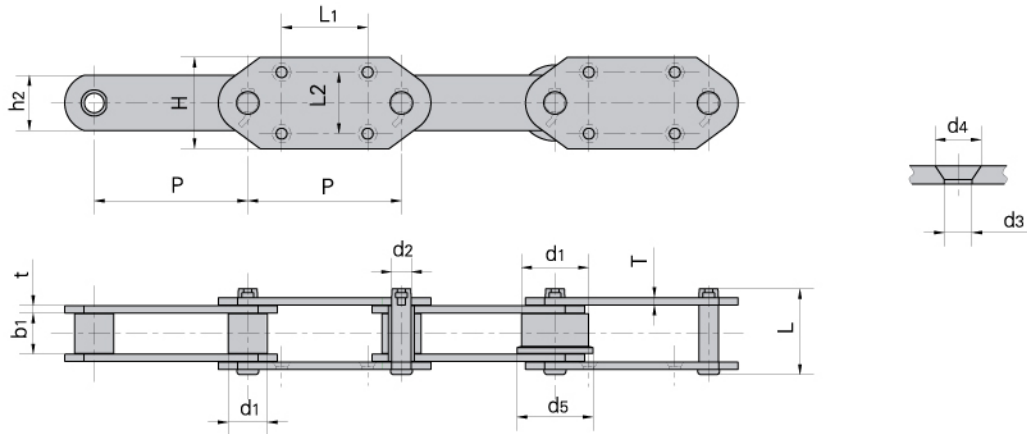


Conveyor chains for hoisting



Donghua Chain No.	P	H	L1	L2	d3	d4
	mm	mm	mm	mm	mm	mm
P95	95.0	95.0	50.0	70.0	12.0	21.0
RF10150RF1	150.0	100.0	75.0	70.0	11.0	20.0
P152F41	152.4	110.0	75.0	70.0	14.5	25.0
RF17200MF1-G-4	200.0	125.0	100.0	80.0	18.0	33.0
RF17200MF2-G-4	200.0	120.0	100.0	80.0	15.0	26.0
P250F6	250.0	150.0	140.0	100.0	17.7	30.0
P300F1	300.0	180.0	170.0	120.0	22.0	39.0



Donghua Chain No.	Pitch	Roller diameter		Width between inner plates	Pin diameter	Pin length	Plate depth	Plate thickness	Ultimate tensile strength	Average tensile strength	Weight per meter
	P	d1 max	d5	b1 min	d2 max	L max	h2 max	t/T max	Q min	Q0	q
	mm	mm	mm	mm	mm	mm	mm	mm	kN/LB	kN	kg/m
P95	95.0	50.8	58.0	30.0	13.5	70.0	38.0	6.0	75.0/16871	82.5	9.93
RF10150RF1	150.0	50.0	60.0	30.0	14.5	69.0	38.1	8.0/6.3	200.0/44992	220.0	8.64
P152F41	152.4	38.1	-	36.0	15.5	90.0	50.0	8.0	150.0/33743	165.0	11.91
RF17200MF1-G-4	200.0	44.5	-	51.4	19.1	120.0	60.0	10.0	245.0/55114	269.5	17.60
RF17200MF2-G-4	200.0	44.5	-	51.4	19.1	109.5	50.8	9.5	213.0/47916	243.0	15.10
P250F6	250.0	63.5	-	67.0	31.8	146.0	90.0	12.0	450.0/101230	495.0	31.70
P300F1	300.0	70.0	-	75.0	35.0	174.0	100.0	16.0	1065.0/239580	1118.0	47.47