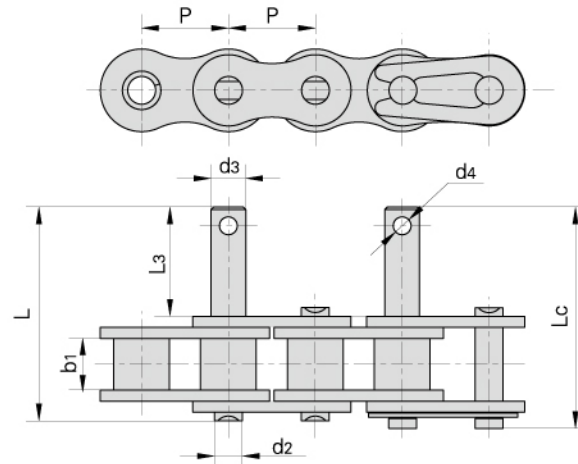
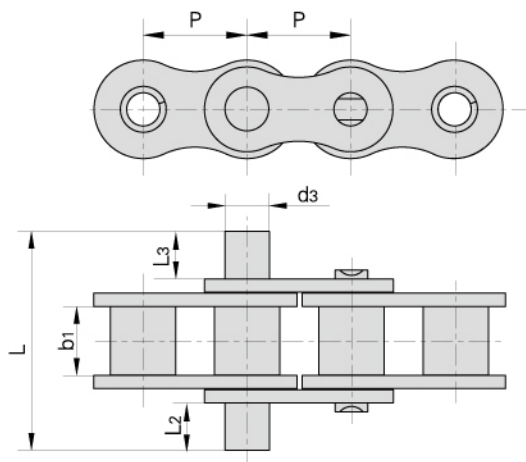


Conveyor chain with special extended pins

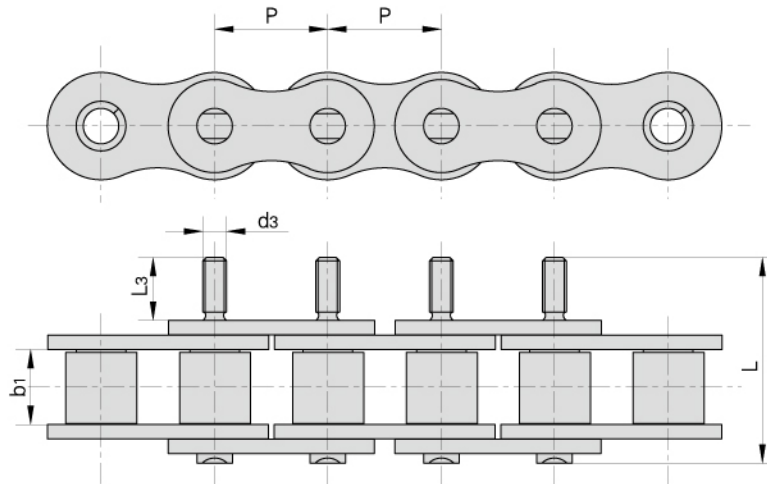


Donghua Chain No.	P	b1	d2	d3	L3	L	Lc	d4
	mm	mm	mm	mm	mm	mm	mm	mm
10A-D9	15.875	9.40	5.08	6.35	20.0	39.5	41.1	-
16AF1	25.400	15.88	7.92	9.00	20.0	51.2	54.7	-
08B-D4	12.700	7.75	4.45	6.00	15.0	31.2	32.4	-
08B-D7	12.700	7.75	4.45	6.00	14.0	30.2	31.4	2.6
08BF3	12.700	7.75	4.45	6.00	8.0	24.2	25.4	-
10BF2	15.875	9.65	5.08	6.00	25.0	43.4	44.8	-
10BF3	15.875	9.65	5.08	8.00	25.0	43.4	44.8	-
10B-D7	15.875	9.65	5.08	6.50	40.0	58.5	60.1	-
12B-D5	19.050	11.68	5.72	8.00	40.0	61.4	63.1	-
12B-D6	19.050	11.68	5.72	6.00	20.0	41.1	42.9	-
12B-D7	19.050	11.68	5.72	8.00	25.0	46.4	48.2	-

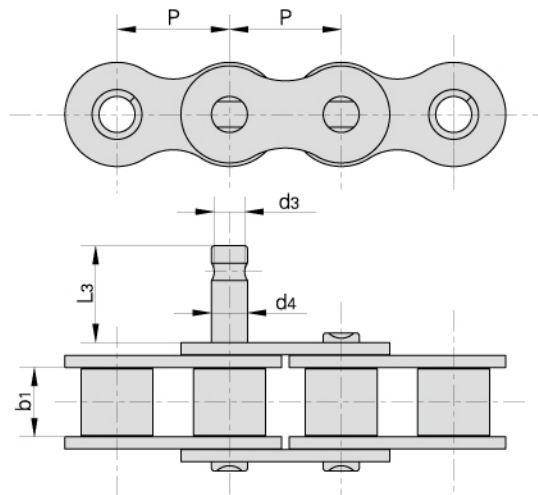


Donghua Chain No.	P	b1	d3	L2	L3	L
	mm	mm	mm	mm	mm	mm
12A-D7	19.050	12.57	8.10	8.6	8.6	40.0
06B-D4	9.525	5.72	3.28	3.0	5.0	19.4
08B-D8	12.700	7.75	4.45	10.0	38.0	62.5
08BF7	12.700	7.75	4.45	3.0	5.0	22.8
16BF4	25.400	17.02	8.28	18.0	18.0	68.0

Conveyor chain with special extended pins



Donghua Chain No.	P	b1	d3	L3	L
	mm	mm	mm	mm	mm
12AF19	19.05	12.57	M4	10.0	34.5
12BF13	19.05	11.68	M4	10.0	31.0



Donghua Chain No.	P	b1	d3	d4	L3
	mm	mm	mm	mm	mm
10B-D9	15.875	9.65	4.5	5.08	13.0
10B-D12	15.875	9.65	4.5	5.08	12.0
12B-D8	19.05	11.68	5.15	5.72	13.0