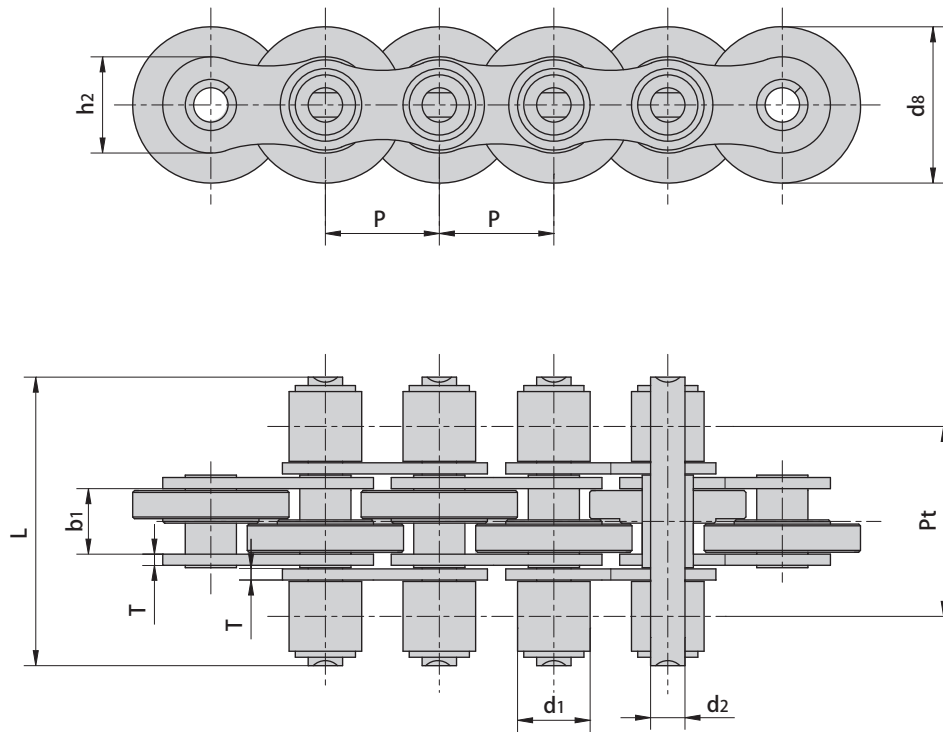


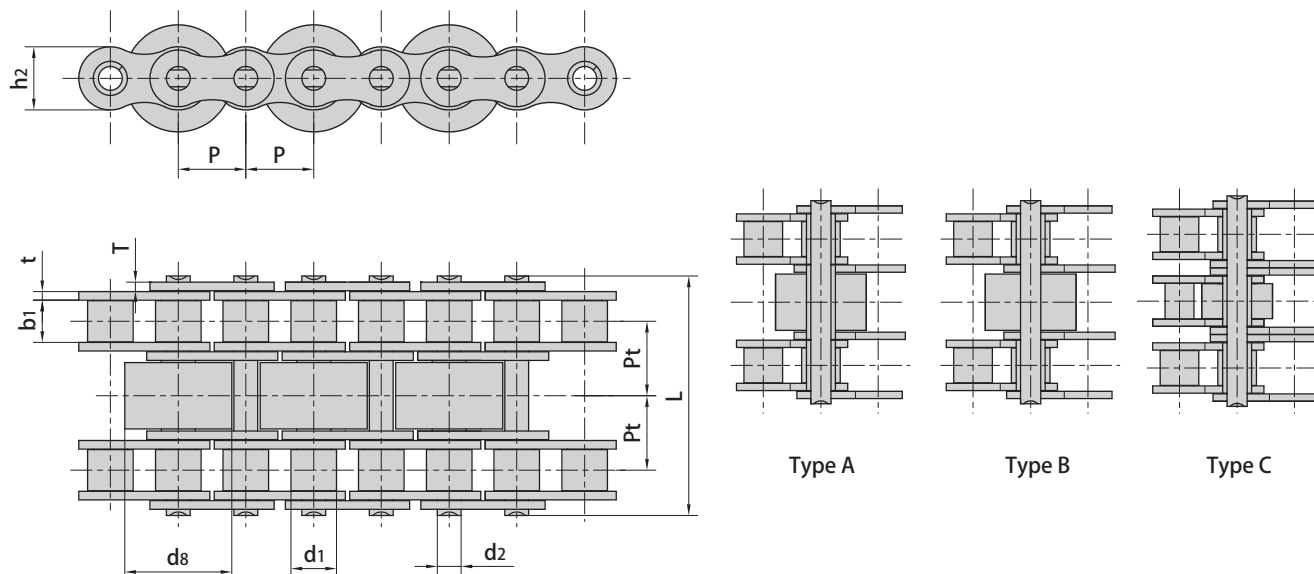
## Conveyor chains with special rollers



Donghua Chain No.	Pitch	Roller diameter		Width between inner plates	Pin diameter	Pin length	Plate dimension		Transverse pitch	Ultimate tensile strength	Average tensile strength
	P	d1 max	d8 max	b1 min	d2 max	L max	h2 max	T max	Pt	Q min	Q0
	mm	mm	mm	mm	mm	mm	mm	mm	mm	kN/lbf	kN
12BS3-40-C27/P27	19.05	12.07	27.0	11.68	5.72	40.0	16.0	1.85	27.0	29.0/6518	66.1
12BS3F1-48-C26	19.05	12.07	26.0	11.40	5.72	48.0	16.0	1.85	31.7	29.0/6519	67.1

Note: P means roller made in plastic, C means roller made in steel.

## Conveyor chains with special rollers



Donghua Chain No.	Pitch	Roller diameter		Width between inner plates	Pin diameter	Pin length	Plate dimension		Transverse pitch	Ultimate tensile strength	Average tensile strength	Type
	P	d1 max	d8 max	b1 min	d2 max	L max	h2 max	t/T max	Pt	Q min	Q0	
	mm	mm	mm	mm	mm	mm	mm	mm	mm	kN/lbf	kN	
06BS-3-C15/P15	9.525	6.35	15.0	5.72	3.28	33.5	8.2	1.30	10.24	16.9/3841	18.7	B
A06BF3S-3-C15/P15	9.525	6.35	15.0	5.72	3.28	33.5	8.4	1.30	10.24	16.9/3841	18.7	B
08BS-3-45-C16	12.700	8.51	16.0	7.75	4.45	45.1	11.8	1.60	13.92	32.0/7273	38.7	A
08BS-3-45-C17	12.700	8.51	17.0	7.75	4.45	45.1	11.8	1.60	13.92	32.0/7273	38.7	A
08BS-3-45-C20	12.700	8.51	20.0	7.75	4.45	45.1	11.8	1.60	13.92	32.0/7273	38.7	A
08BSF6-3-45-C20	12.700	8.51	20.0	7.75	4.45	45.1	11.8	1.60	13.92	32.0/7273	38.7	B
12AF90-3-71-C28	19.050	11.91	28.0	12.57	5.94	71.5	18.0	2.42	22.78	62.6/14073	82.0	B
12BS-3-62-C28/P28	19.050	12.07	28.0	11.68	5.72	61.5	16.0	1.85	19.46	57.8/13136	66.1	A
12BS-3-62-C31	19.050	12.07	31.0	11.68	5.72	61.5	16.0	1.85	19.46	57.8/13136	66.1	B
12BSF10-3-62-C26	19.050	12.07	26.0	11.68	5.72	61.5	16.0	1.85	19.46	86.7/19705	101.8	C
12BSF10-3-62-C28	19.050	12.07	28.0	11.68	5.72	61.5	16.0	1.85	19.46	86.7/19706	101.8	C
12BF45-3-C28/P28	19.050	12.07	28.0	11.68	5.72	61.5	16.0	1.85	19.46	57.8/13136	66.1	B

Note: P means roller made in plastic, C means roller made in steel.