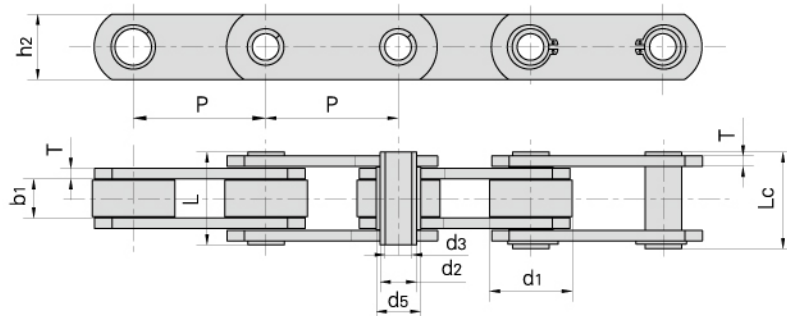
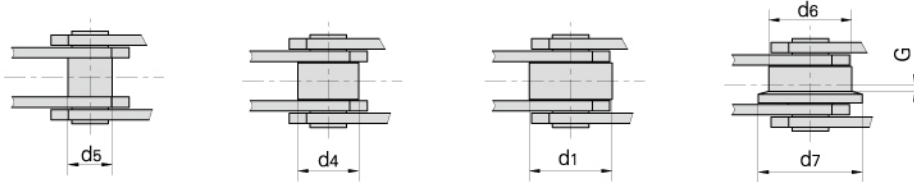


Hollow pin conveyor chains (FVC series)



without rollers with S small rollers type with P large rollers type with F flanged rollers type



DIN Chain No.	Pitch							Roller dimension				
	P							d1 max	d4 max	d6 max	d7 max	G
	mm	mm	mm	mm	mm	mm	mm	mm	mm	mm	mm	
FVC63	63.0	80.0	100.0	125.0	160.0	-	-	40.0	26.0	50.0	63.0	5.0
FVC90	63.0	80.0	100.0	125.0	160.0	200.0	250.0	48.0	30.0	63.0	78.0	6.5
FVC112	100.0	125.0	160.0	200.0	250.0	-	-	55.0	32.0	72.0	90.0	7.5
FVC140	100.0	125.0	160.0	200.0	250.0	-	-	60.0	36.0	80.0	100.0	9.0
FVC180	125.0	160.0	200.0	250.0	315.0	-	-	70.0	42.0	100.0	125.0	13.0
FVC250	160.0	200.0	250.0	315.0	400.0	-	-	80.0	50.0	125.0	155.0	15.0
FVC315	160.0	200.0	250.0	315.0	400.0	-	-	90.0	60.0	140.0	175.0	18.0

DIN Chain No.	Width between inner plates	Pin diameter			Bush diameter		Pin length		Plate thickness	Plate depth	Ultimate tensile strength
	b1 min mm	d2 max mm	d3 min mm	d5 max mm	L max mm	Lc max mm	T max mm	h2 max mm	Q min kN/LB		
FVC63	22.0	12.0	8.0	18.0	45.0	50.5	4.0	30.0	46.0/10454		
FVC90	25.0	14.0	10.0	20.0	53.0	56.5	5.0	35.0	73.0/16590		
FVC112	30.0	16.0	11.0	22.0	62.0	63.0	6.0	40.0	90.0/20454		
FVC140	35.0	18.0	12.0	26.0	67.0	68.5	6.0	45.0	110.0/25000		
FVC180	45.0	20.0	14.0	30.0	86.0	88.0	8.0	50.0	145.0/32954		
FVC250	55.0	26.0	18.0	36.0	97.0	103.5	8.0	60.0	215.0/48863		
FVC315	65.0	30.0	20.0	42.0	117.0	121.5	10.0	70.0	295.0/67044		