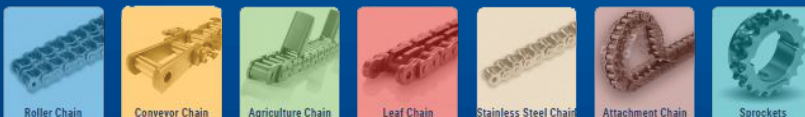


## STEEL PINTLE CHAIN

The strength and wear resistance of our Pintle Chain means it's used in a wide range of applications including agriculture and timber sectors.



Popular sizes of Pintle Chain and Attachments are now available ex-stock direct in the UK.



We only have one standard. The Best.

# STEEL PINTLE CHAIN



Donghua's Pintle Chain is designed with a unique open barrel which minimises pin surface contact with the chain gearing face, reducing material build-up in the sprockets which can cause blockages, corrosion and potential seizure.

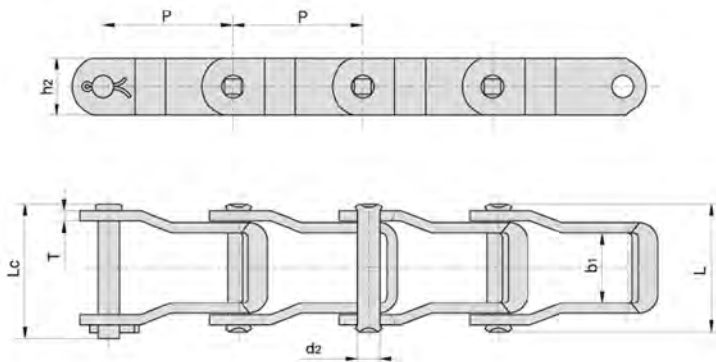
Our Pintle Chain is perfect for applications where material comes into contact with the chain, gets compacted and then corrodes the chain such as industrial applications or agriculture & forestry/timber sectors.

Heat-treatment of parts during manufacture, including hardened steel pins, optimises wear-life making Donghua's Pintle Chain highly durable .

**Due to customer demand, common sizes of Pintle Chain, Attachments & Sprockets are now available ex-stock in the UK.**

## AVAILABLE IN:

Donghua Chain No.	Pitch	Width between Inner Plates	Pin Diameter	Pin Length		Plate Depth	Plate Thickness	Ultimate Tensile Strength	Average Tensile Strength	Weight per Metre
	P	b1 min	d2 max	L max	Lc max	h2 max	T	Q min	Qo	q
	mm	mm	mm	mm	mm	mm	mm	kN/LB	kN	kg/m
662	42.27	22.9	7.19	41.2	44.2	18.8	3.2	37.80/8591	41.5	1.63
667H	58.75	25.4	7.94	43.7	46.7	22.2	3.2	42.30/9614	46.5	1.87
667X	57.15	26.6	11.10	50.2	55.0	23.8	4.3	66.70/15159	73.3	2.98
667XH	57.15	27.4	11.91	58.0	62.0	27.3	5.7	124.50/28295	136.9	4.34
667K	57.15	27.4	11.10	55.5	60.0	27.3	5.1	89.00/20227	97.9	3.91
667J	57.15	26.6	9.53	50.2	55.0	27.3	4.3	62.28/14155	68.5	2.81



**CHAIN FACT:**  
Unique open barrel design cleans the tooth root during use removing any lodged material.

### At a Glance:

- Open barrel design
- Minimises blockages, corrosion & seizure
- Heat treated parts
- Hardened steel pins
- Optimal wear-life
- Reduced maintenance
- Highly durable
- Designed for agriculture & forestry/timber sectors
- UK stock available

### ATTACHMENTS:

Available from stock on connecting links as tab with 1 hole and tab with 2 holes.



### UK | Workshop Facilities

A comprehensive range of services is available at our Midlands based workshop including: Pre-loading, Measuring & Matching, Chain assembly, Hot-dip lubrication and Bespoke tooling & finishing, for details call: **01902 866200**

